



WORK TABLES

ACCESSORIES



Item #:

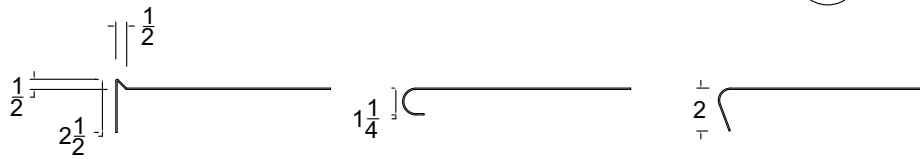
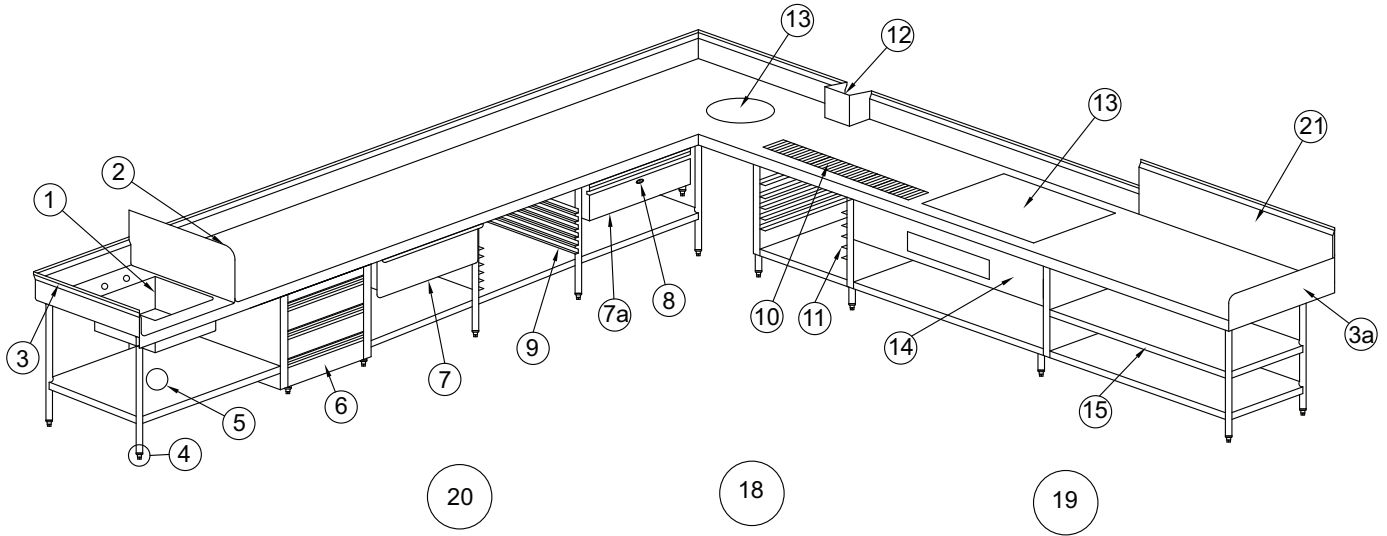
Qty #:





Model #:

Project #:

WORK TABLE ACCESSORIES			
ITEM #	MODEL	DESCRIPTION	ORDER QTY
1	SB-12168	WELDED SINK BOWL 12" X 16" X 8"	Each
1	SB-162010	WELDED SINK BOWL 16" X 20" X 10"	Each
1	SB-181812	WELDED SINK BOWL 18" X 18" X 12"	Each
1	SB-182412	WELDED SINK BOWL 18" X 24" X 12"	Each
1	SB-242412	WELDED SINK BOWL 24" X 24" X 12"	Each
2	TA-2	SPLASH GUARD FOR SINKS 10" X TABLE WIDTH	Each
3	TA-3-R	END SPLASH WITH RETURN	Each
3a	TA-3-F	FLAT END SPLASH	Each
4	TA-4	S/S FLANGED FEET	Each
5	TA-5	DRAIN CUT OUT IN UNDERSHELF UP TO 6" DIAMETER	Each
6	TA-3T-15P	3 TIER ROLLER BEARING DRAWER ASSEMBLY WITH 15" X 20" X 5" PLASTIC LINERS	Each
6	TA-3T-20P	3 TIER ROLLER BEARING DRAWER ASSEMBLY WITH 20" X 20" X 5" PLASTIC LINERS	Each
6	TA-3T-15S	3 TIER ROLLER BEARING DRAWER ASSEMBLY WITH 15" X 20" X 5" S/S LINERS	Each
6	TA-3T-20S	3 TIER ROLLER BEARING DRAWER ASSEMBLY WITH 20" X 20" X 5" S/S LINERS	Each
7	TA-1520F-S	S/S ECONOMY FRICTION SLIDE DRAWERS 15" X 20" X 5"	Each
7A	TA-1520-P	S/S ROLLER BEARING DRAWERS WITH 15" X 20" X 5" PLASTIC LINER	Each
7A	TA-2020-P	S/S ROLLER BEARING DRAWERS WITH 20" X 20" X 5" PLASTIC LINER	Each
7A	TA-1520-S	S/S ROLLER BEARING DRAWER WITH 15" X 20" X 5" S/S LINER	Each
7A	TA-2020-S	S/S ROLLER BEARING DRAWER WITH 20" X 20" X 5" S/S LINER	Each
8	TA-8	DRAWER LOCK	Each
9	TA-9	S/S PAN RACK SLIDES	Each
10	TA-10	URN TROUGH WITH GRATE	Lin. Ft.
11	TA-11	GLASS RACK SLIDES (1 SET)	Each
12	TA-12	NOTCH IN BACKSPLASH	Each
13	TA-13	CUT OUT IN TOP	Each
14	TA-14	CONTROL PANEL SKIRT FOR DROP-INS (DROP-INS BY OTHERS)	Lin. Ft.
15	TA-15	WELDED S/S MIDDLE SHELF	Lin. Ft.
16	TA-CAS-4	CASTERS 4" DIAMETER 2 BRAKES PER SET	Each
16A	TA-CAS-5	CASTERS 5" DIAMETER 2 BRAKES PER SET	Each
17	TA-17	14 GA. STAINLESS STEEL AVAILABLE	N/A
18	TA-BE	BULLNOSE EDGE	Lin. Ft.
19	TA-RE	ROLLED EDGE	Lin. Ft.
20	TA-ME	INVERTED V MARINE EDGE	Lin. Ft.
21	TA-21	HIGHER BACK SPLASH-UP TO 15" MAX (NOTE: HIGHER BACK SPLASH OPTION NA ON 30" FRONT TO BACK)	Lin. Ft.
22	TA-22	WELDED / CRATE	Lin. Ft.

DIMENSIONS & SPECIFICATIONS



- | | | | | | |
|-------|---|---|----|------|------------------------|
| (16) |  |  | 4" | (17) | 14 Ga. Stainless Steel |
| (16a) |  |  | 5" | (22) | Welded / Crated |